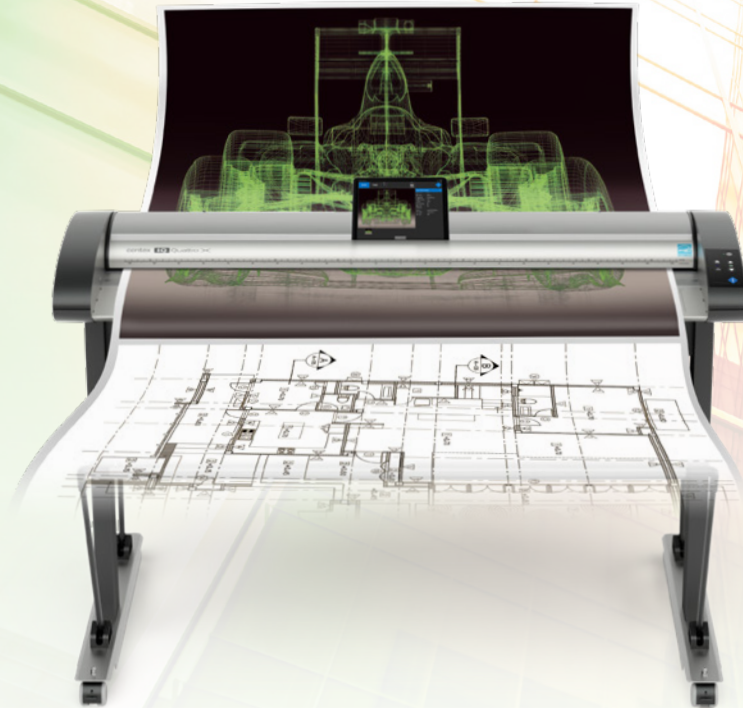


**IQ** Quattro X

36" 44"

**THE INDUSTRY-  
LEADING SCANNER  
FOR LARGE FORMAT  
TECHNICAL  
DRAWINGS**

**NEW!**



## SCAN FASTER AND SMARTER WITH MORE PRECISION IN EVERY PIXEL

The all new and perfected IQ Quattro X is a must have for every high-production environment.

**Faster:** IQ Quattro X is the 5th generation of Contex CIS scanners, with enhanced speed and 3 times faster data transfer, the scanner is the essence of productivity.

**Smarter:** The Nextimage Remote app offers you a completely new way of working. The new app saves valuable operator time by bringing all main functions essential for basic scanning and copying in front of the operator directly on the scanner.

**Better:** Contex Live Alignment is a new IQ Quattro X technology designed to improve image alignment across sensors ensuring precise and sharp alignment all the time, no matter the speed.

**Improved technology:** Contex USB 3.0 implementation with xDTR3 is blisteringly fast and you won't have to worry about shoe shining or rescanning to get the width right.

### **Image quality**

The 48-bit CIS technology captures every detail from your document, then passes the best 24-bits through to the file at up to 1200 dpi optical resolution.

### **Fastest CIS scanner**

The IQ Quattro X scanners produce a scan speed of up to 17.8 inches per second in RGB color and 200 dpi.

### **3-position speed control**

Great for use with delicate originals. Temporarily shift down to slower scan speeds without using presets or altering software.

### **Green technology**

Energy Star® version 3.0 compliant using only 0.5W in standby mode.

### **High productivity**

Enhanced speed and data transfer rates makes the IQ Quattro X the essence of productivity.

**OUTSTANDING IMAGE QUALITY AND PRODUCTIVITY**

**SEE MORE:** [contex.com/iqquattroX](http://contex.com/iqquattroX)

 **contex**  
WHEN IMAGING MATTERS

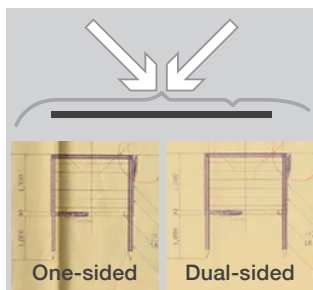
	IQ QUATTRO X 3650	IQ QUATTRO X 3690	IQ QUATTRO X 4450	IQ QUATTRO X 4490
Maximum scan width	36 inch (914 mm)		44 inch (1118 mm)	
Maximum media width	38 inch (965 mm)		47 inch (1194 mm)	
<b>Scanning speed<sup>1</sup> (inch/sec.) 36-inch wide document</b>				
200 dpi RGB color	8.9	17.8	8.9	17.8
Upgradeable to 17.8 inch/sec color	Upgradeable	Included	Upgradeable	Included
200 dpi grayscale/monochrome	17.8		17.8	
<b>Productivity (documents/hour) Batch scanning for 60 minutes. Includes paper load and eject time. Measured in completed scans</b>				
Arch E-size, portrait, monochrome/RGB color, 200 dpi	523	856	523	856
<b>Specifications</b>				
Maximum media thickness	0.08 in (2 mm) flexible documents			
Optical resolution	1200 dpi			
Maximum resolution	9600 dpi (interpolated)			
Total number of pixels	54000 pixels		64800 pixels	
Context key CIS technologies	CleanScan <sup>2</sup> , SIGMA <sup>3</sup> , CFR <sup>4</sup>			
Document justification	Flexible center load, due to autosize			
Accuracy	0.1% +/- 1 pixel			
Data capture color depth	48-bit color/16-bit monochrome			
Color spaces	Adobe RGB, Device RGB, RAW RGB, sRGB			
USB connection	USB 3.0 with xDTR3			
Ethernet connection	Gigabit with xDTR2.5			
Networking protocols	Push and pull			
Energy Star <sup>5</sup>	Yes, version 3.0			
Included software <sup>6</sup>	Nextimage TWAIN, Nextimage Remote tablet app (free download for iOS and Android), WIDESystem (driver)			
Optional software	Nextimage 5			
File formats <sup>7</sup>	TIF, JPG, PDF, PDF/A, DWF, CALS, BMP, JPEG-2000(JP2), JPEG2000 Extended (JPX), TIF-G3, TIF-G4 and others			
File compatibility	AutoCAD <sup>®</sup> , Microstation <sup>™</sup> , ArcGIS <sup>™</sup> and all other CAD, GIS and other image editing/storage applications			
Printer support <sup>7</sup>	HP, Canon, Epson and Océ printers. See <a href="http://context.com/nextimage-supported-printers">context.com/nextimage-supported-printers</a> for full list			
Operating systems	Windows Server 2019 64-bit, Windows 11 64-bit, Windows 10 64-bit + 32 bit			
Power consumption (ready/sleep/scan)	18W max. / <1W / 37W (built-in power supply)			
Power supply	100-240 V, 60/50 Hz			
Weight	48.3 lbs (21.9 kg)		54 lbs (24.5 kg)	
Dimensions	45.7x19.3x6.3 in (1160x489x161 mm)		53.1x19.3x6.3 in (1349x489x161 mm)	
Certifications/compliance	CE, cUL/UL, CCC, EAC, UKR, BIS, FCC Class A, ICES, EMC, VCCI, KC, EuP, WEEE, RoHS, REACH and ENERGY STAR <sup>®</sup> certified			
Country of origin	Designed and engineered in Denmark, Europe. Manufactured in China.			
Scanner stand (optional)	Low adjustable stand (3 settings): 32.6/33.8/34.8 in (827/859/884 mm) High adjustable stand (9 settings): 43 to 50.9 inches in steps of 1 inch (1092 to 1292 mm in 25 mm steps)			
ScanStation Pro compatibility				Yes

- Test equipment: Nextimage 5 software, Intel Core i7 4770K 3.5 GHz ,16 GB RAM, 1TB SSD, SuperSpeed USB 3.0 PC, Win 64-bit  
Minimum computer: Intel Core Duo, Core 2 Duo or better 64-bit processor, 8 GB RAM, SSD SATA hard drive, Win 64-bit
- Context CleanScan is a Context innovation comprising dual-sided and dual-diffused LEDs in a single custom-built CIS module
- Context Signal Intensity Matching (SIGMA) is a Context patent that reduces the effects of uneven heat build-up in CIS sensors during scanning
- Context Color Fringe Removal (CFR) is a Context patent that sharpens images by filtering out the fringes produced by strobing CIS devices
- Energy Star<sup>®</sup> version.3.0. Introduced October 2019
- Nextimage TWAIN relies on the external host software to print, copy and save scanned information
- Nextimage scanning software required

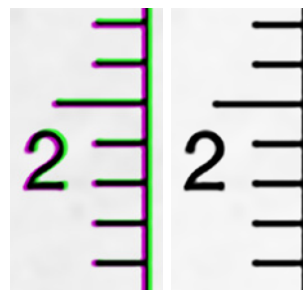
**Tablet not included.**

All trademarks remain the property of their respective holders, and are used only to directly describe the product being provided. Their use does not indicate a relationship between Context and the trademark holders.

## IQ Quattro X: High data transfer - superior image quality



**Context CleanScan CIS**  
The IQ Quattro Scanners are equipped with Context CleanScan CIS modules which facilitate optical image quality with dual-sided LED lighting. This eliminates creases and folds in originals normally a challenge for CIS scanners, and thus provides clear, crisp scans every time.



**Color fringe removal (CFR) technology**  
Color Fringe Removal (CFR) is an advanced Context patented filtering technology designed to remove the fringes inherent in CIS strobing scanning devices.

Context solutions are compatible with all leading large-format printers. See the full list at [context.com/nextimage-supported-printers](http://context.com/nextimage-supported-printers)



[context.com/iquattroX](http://context.com/iquattroX)

**Context HQ & EMEA**  
Global Scanning Denmark A/S  
Copenhagen, Denmark  
Phone: +45 4814 1122  
info@context.com

**Context Americas**  
Global Scanning Americas (MD) Inc.  
Chantilly, VA, 20151, USA  
Phone: +1 (703) 964 9850  
salesamericas@context.com

**Context Japan & Asia**  
Global Scanning Japan A/S  
Yokohama, Japan  
Phone: +81 45 548 8547  
apac@context.com

